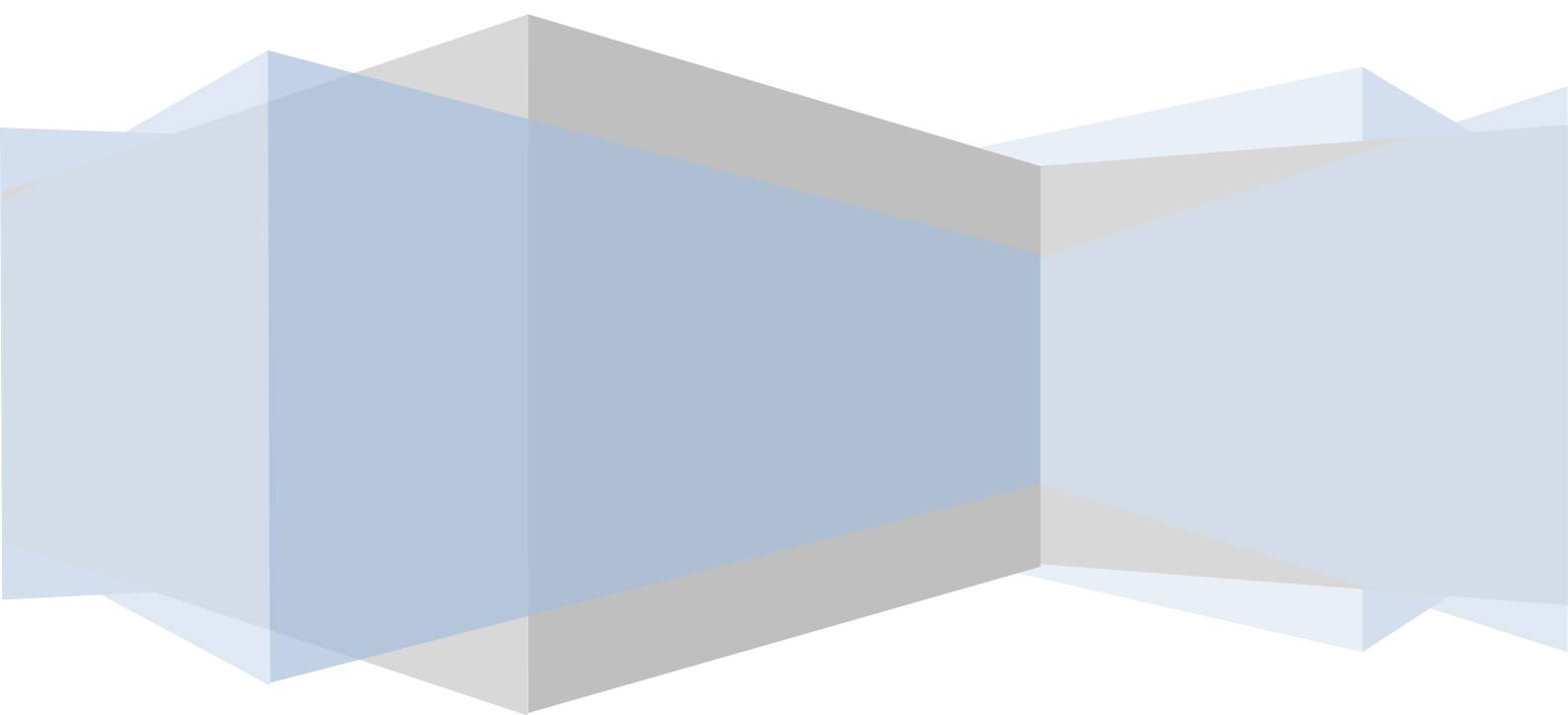
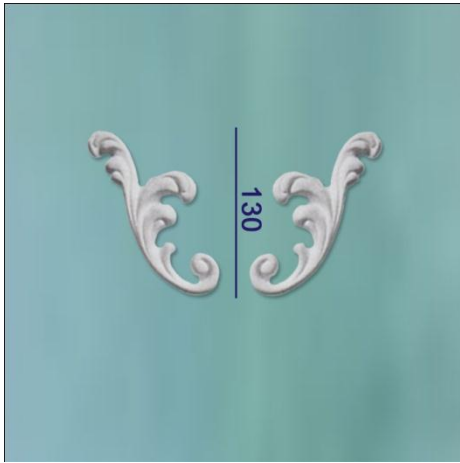
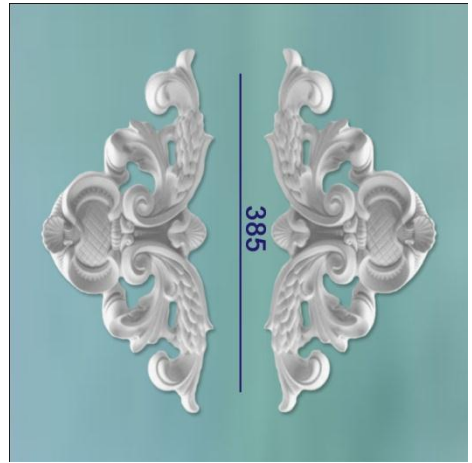


# Углы





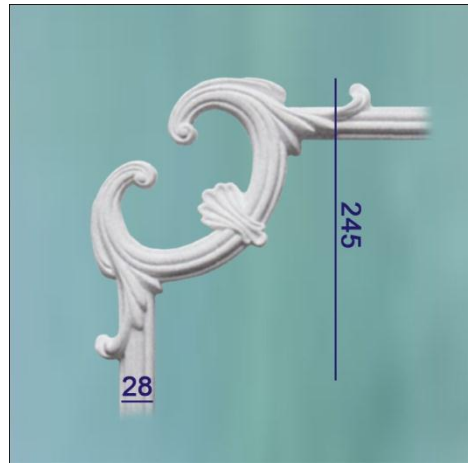
y-1



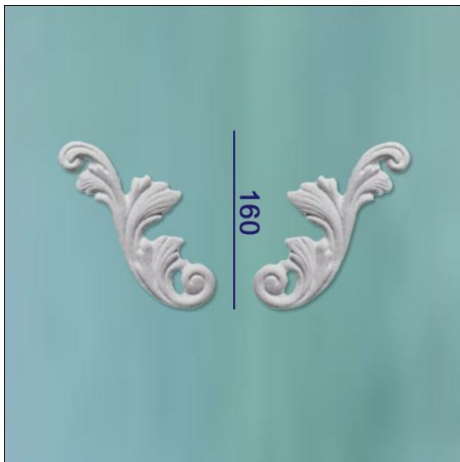
y-4



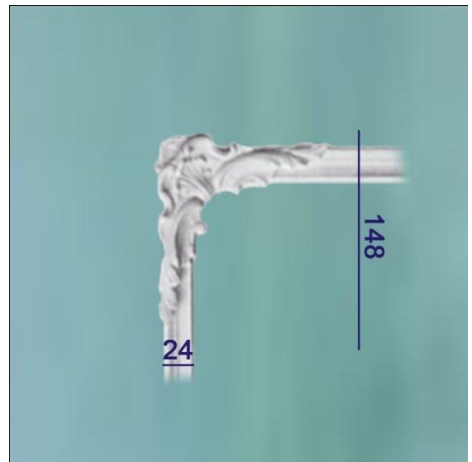
y-2



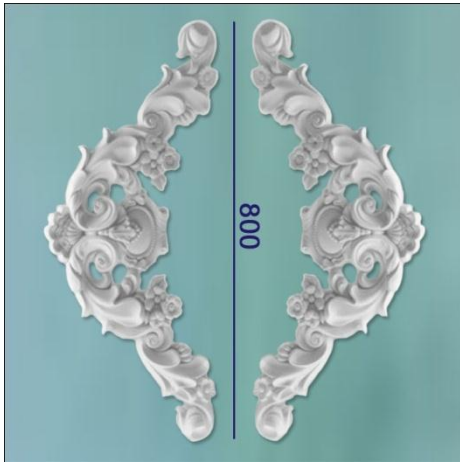
y-5



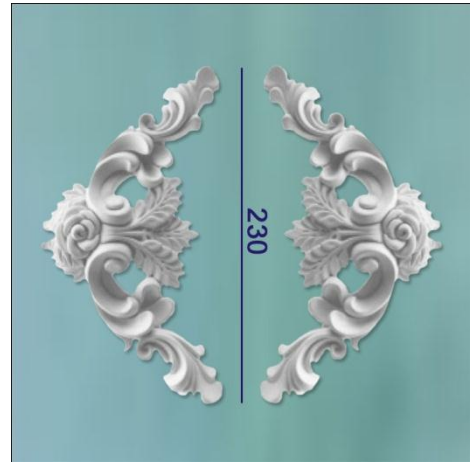
y-3



y-6



**Y-8**



**Y-11**



**Y-9**



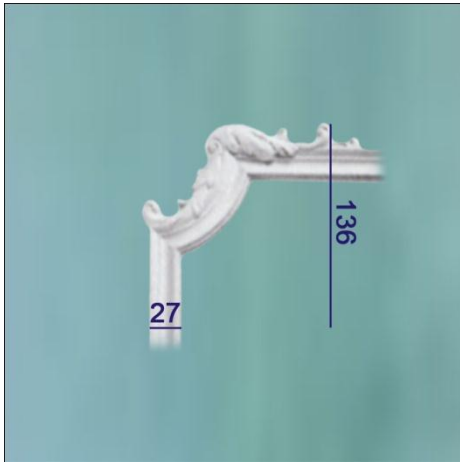
**Y-12**



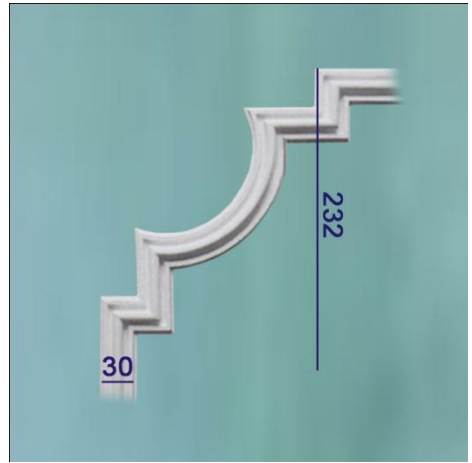
**Y-10**



**Y-15**



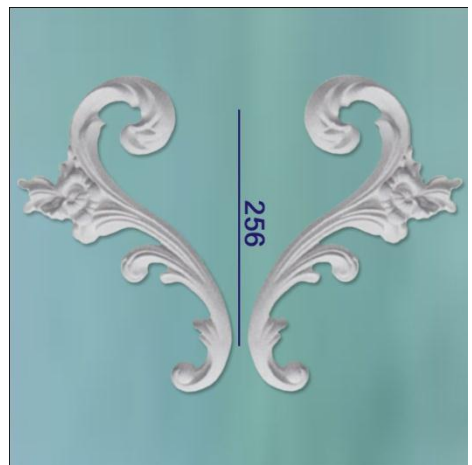
**Y-16**



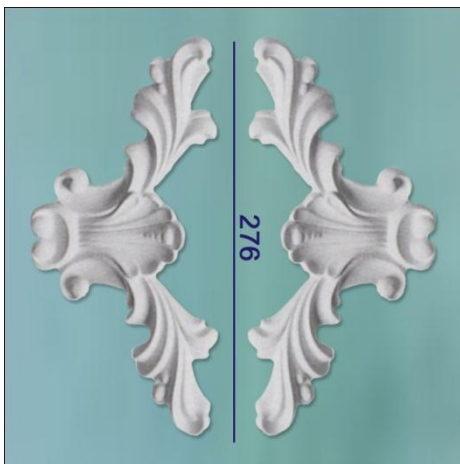
**Y-20**



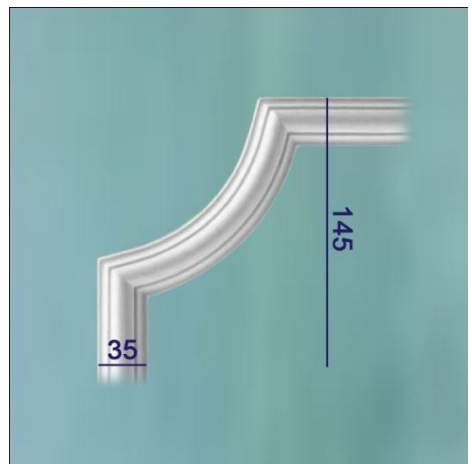
**Y-18**



**Y-21**



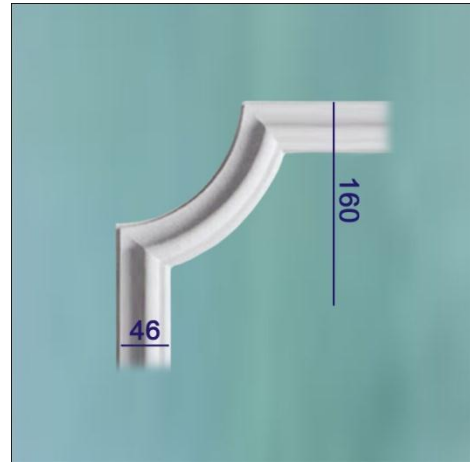
**Y-19**



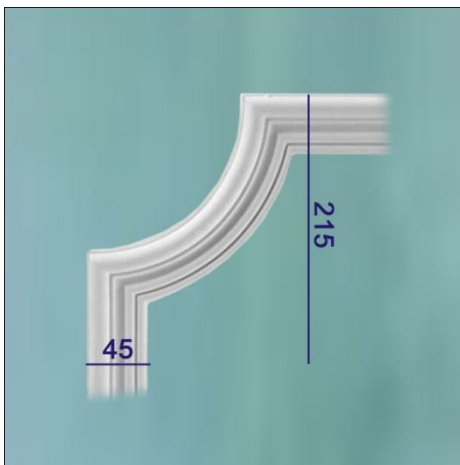
**Y-22**



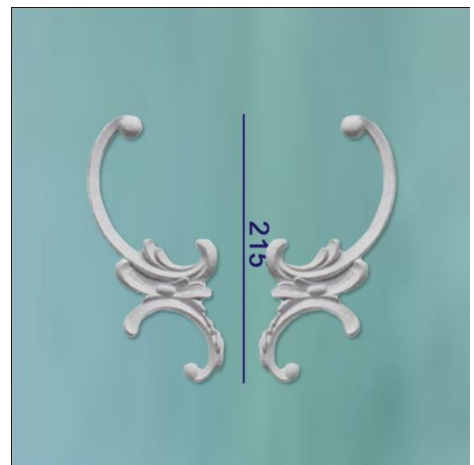
Y-24



Y-30



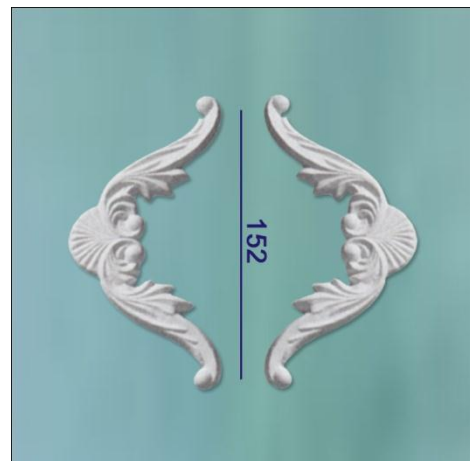
Y-25



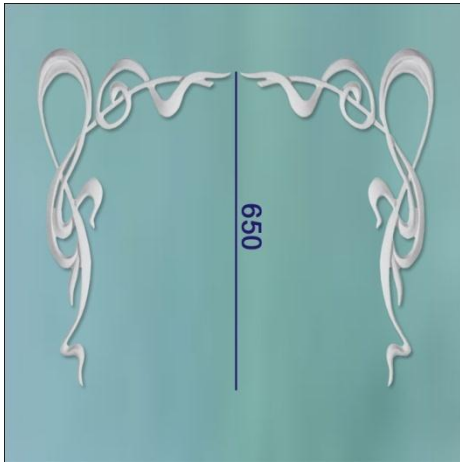
Y-31



Y-28



Y-32



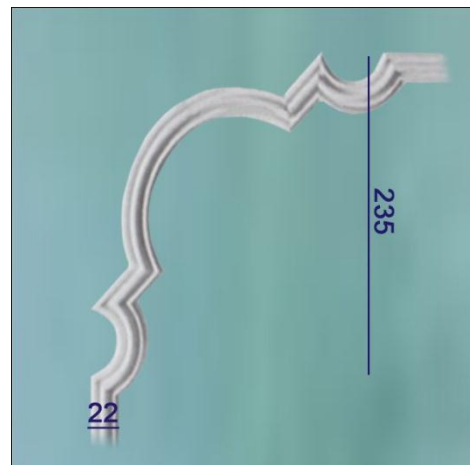
**Y-33**



**Y-36**



**Y-34**



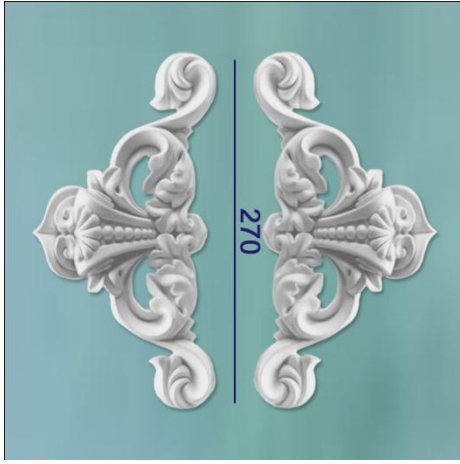
**Y-38**



**Y-35**



**Y-40**



**y-41**